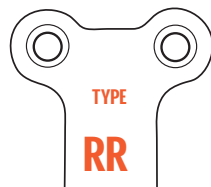
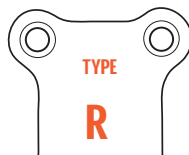


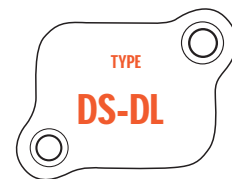
DIE AREA				TYPE No.			
mm	mm	in	in				
75	55	3	2¼	0R			
75	100	3	4		1RR		
100	50	4	2			1RL	
100	75	4	3	1R			
100	125	4	5		2RR		
125	100	5	4	2R			
125	150	5	6		3RR		
125	175	5	7		4RR		
150	112	6	4½	3R			
150	200	6	8		5RR		
180	75	7	3			4RL	
180	125	7	5	4R			
175	230	7	9		6RR		
200	90	8	3½			5RL	
200	150	8	6	5R			
200	255	8	10		7RR		
230	100	9	4			6RL	
230	140	9	5½			6RM	
230	175	9	7	6R			
230	305	9	12		8RR		
250	112	10	4½			7RL	
250	160	10	6½			7RM	
250	200	10	8	7R			
305	125	12	5			8RL	
305	185	12	7			8RM	
305	230	12	9	8R			
355	140	14	5½			9RL	
355	215	14	8½			9RM	
355	280	14	11¼	9R			
405	150	16	6			10RL	
405	230	16	9			10RM	
405	305	10	12	10R			
455	175	18	7			11RL	
455	265	18	10½			11RM	
510	200	20	8			12RL	
510	280	20	11			12RM	

REAR PILLAR



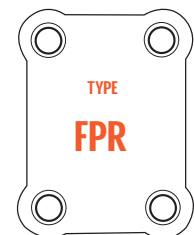
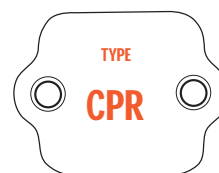
DIE AREA				TYPE No.	
mm	mm	in	in		
63	63	2½	2½	D5S	
75	50	3	2		D5L
80	80	3¼	3¼	D6S	
100	70	4	2¾		D6L
100	100	4	4	D7S	
112	75	4½	3		D7L
112	112	4½	4½	D8S	
132	90	5¼	3½		D8L
132	132	5¼	5¼	D9S	
150	100	6	4		D9L
150	150	6	6	D10S	
170	112	6¾	4½		D10L
185	185	7¼	7¼	D12S	
215	140	8½	5½		D12L
215	215	8½	8½	D14S	
255	180	10	7		D14L
255	255	10	10	D16S	
280	280	11	11	D18S	
305	190	12	7½		D16L
330	215	13	8½		D18L

DIAGONAL PILLAR



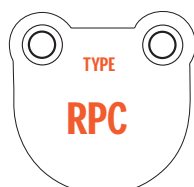
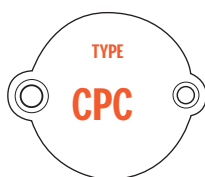
DIE AREA				TYPE No.	
mm	mm	in	in		
63	75	2½	3	CPR4	
112	112	4½	4½	CRP6	
132	120	5¼	4¾	CRP7	
160	140	6¼	5½	CPR8	
185	150	7¼	6	CPR9	
200	100	8	4		FPR8
200	190	8	7½	CPR10	
230	112	9	4½		FPR9
255	125	10	5		FPR10

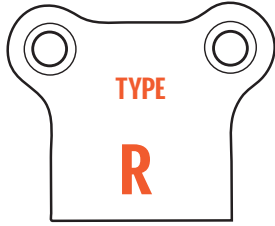
RECTANGULAR



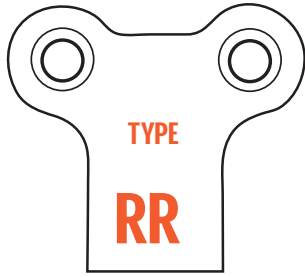
DIE AREA		TYPE No.	
mm	in		
75	3	RPC3	
90	3½		CPC5
100	4	RPC4	
112	4½		CPC6
125	5	RPC5	
130	5½		CPC7
150	6	RPC6	CPC8
175	7	RPC7	CPC9

CIRCULAR

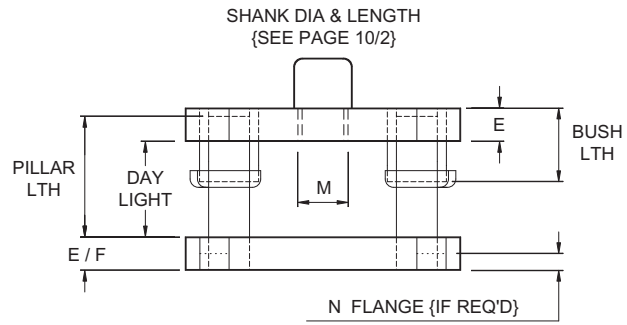
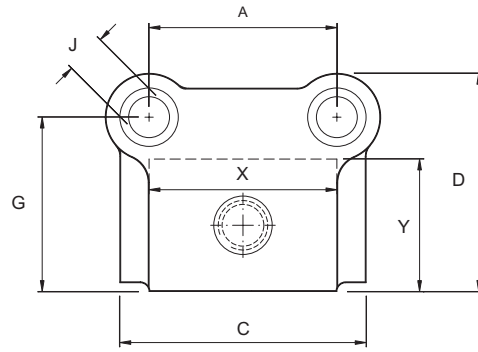




REAR PILLAR



REAR PILLAR REVERSED



TYPE	DIE SPACE		A	C	D	E	F	G	J	M		N
	X x Y	X x Y								WHIT in	ISO mm	
0 R	75 x 55	3" x 2 1/4"	76.2	130	103	+0.0 -3.0	+0.0 -3.0 BASE ONLY	74	16	3/4	M20 x 1.5 M24 x 2.0 M30 x 2.0	13
1 R	100 x 75	4" x 3"	101.6	159	125			93	19	3/4		13
2 R	125 x 100	5" x 4"	127.0	188	156			121	25	3/4		16
3 R	150 x 112	6" x 4 1/2"	152.4	216	170			135	25	1		16
4 R	180 x 125	7" x 5"	177.8	251	188			149	32	1		19
5 R	200 x 150	8" x 6"	203.2	276	214			175	32	1 1/4		19
6 R	230 x 175	9" x 7"	228.6	305	242			201	32	1 1/4		22
7 R	250 x 200	10" x 8"	254.0	330	267			226	32	1 1/4		22
8 R	305 x 230	12" x 9"	304.8	394	306			258	40	1 1/4		22
9 R	355 x 280	14" x 11"	355.6	445	356			308	40	1 1/4		22
10 R	405 x 305	16" x 12"	406.4	495	382			334	40	1 1/4	22	

STANDARD ASSEMBLY			
PILLAR LENGTH	BUSH LENGTH	DAYLIGHT	STROKE
100	65	80	40
100	65	80	40
110	75	80	50
115	75	85	50
115	100	80	70
120	100	80	70
120	100	80	70
125	100	80	70
125	115	80	75
125	115	75	75
125	115	75	75

TYPE	DIE SPACE		A	C	D	E	F	G	J	M		N
	X x Y	X x Y								WHIT in	ISO mm	
1 RR	75 x 100	3" x 4"	101.6	137	151	+0.0 -3.0	+0.0 -3.0 BASE ONLY	119	25	3/4	M20 x 1.5 M24 x 2.0 M30 x 2.0	13
2 RR	100 x 125	4" x 5"	127.0	165	182			147	25	3/4		16
3 RR	125 x 150	5" x 6"	152.4	191	208			173	25	1		16
4 RR	125 x 175	5" x 7"	152.4	194	238			199	32	1		19
5 RR	150 x 200	6" x 8"	177.8	229	267			226	32	1 1/4		19
6 RR	175 x 230	7" x 9"	203.2	264	300			256	32	1 1/4		22
7 RR	200 x 255	8" x 10"	228.6	289	325			281	32	1 1/4		22
8 RR	230 x 305	9" x 12"	254.0	318	381			331	40	1 1/4		22

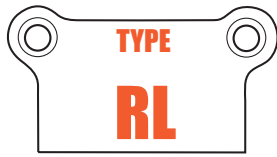
STANDARD ASSEMBLY			
PILLAR LENGTH	BUSH LENGTH	DAYLIGHT	STROKE
110	75	85	50
110	75	80	50
115	75	85	50
115	75	80	50
120	100	80	70
120	100	80	70
125	100	80	60
125	100	80	60

Pillar and bush lengths can be varied from the above, see pages 4/6 - 4/7.

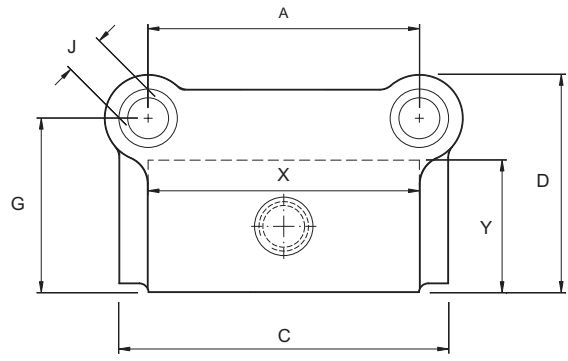
★ Machined flanges available as option – please specify ★

All die sets can be supplied with linear bearings.

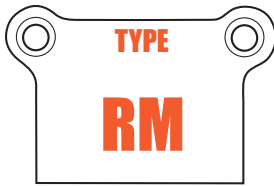
ATTENTION
Standard Assemblies
If the daylight as stated above is reduced, pillars will project at the bottom of the stroke.



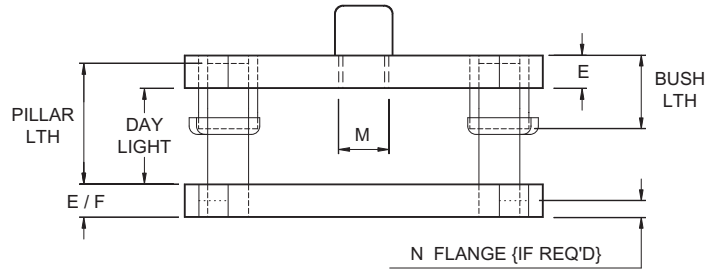
TYPE RL
REAR PILLAR LONG



SHANK DIA & LENGTH
{SEE PAGE 10/2}



TYPE RM
REAR PILLAR MEDIUM



TYPE	DIE SPACE		A	C	D	E	F	G	J	M		N	STANDARD ASSEMBLY			
	X x Y	X x Y								WHIT in	ISO mm		PILLAR LENGTH	BUSH LENGTH	DAYLIGHT	STROKE
1 RL	100 x 50	4" x 2"	101.6	156	96	+0.0 -3.0	+0.0 -3.0 BASE ONLY	67	16	3/4	M20 x 1.5	13	100	65	80	50
4 RL	180 x 75	7" x 3"	177.8	238	128	35	45	96	25	1	M24 x 2.0	16	110	75	80	50
5 RL	200 x 90	8" x 3 1/2"	203.2	267	145	35	50	111	25	1		19	115	75	85	50
6 RL	230 x 100	9" x 4"	228.6	302	162	40	50	123	32	1		19	115	90	80	60
7 RL	250 x 112	10" x 4 1/2"	254.0	327	176	45	55	136	32	1		22	120	90	80	60
8 RL	305 x 125	12" x 5"	304.8	381	190	45	65	150	32	1 1/4	M30 x 2.0	22	120	90	80	60
9 RL	355 x 140	14" x 5 1/2"	355.6	432	205	50	70	165	32	1 1/4		22	125	90	80	60
10 RL	405 x 150	16" x 6"	406.4	495	225	50	70	179	40	1 1/4		22	150	90	100	50
11 RL	455 x 175	18" x 7"	457.2	559	267	55	75	210	40	1 1/4		22	180	100	130	60
12 RL	510 x 200	20" x 8"	508.0	610	292	60	80	235	40	1 1/4		22	180	100	125	60

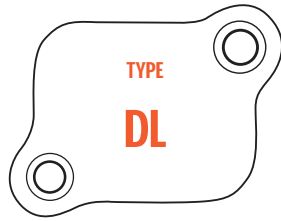
TYPE	DIE SPACE		A	C	D	E	F	G	J	M		N	STANDARD ASSEMBLY			
	X x Y	X x Y								WHIT in	ISO mm		PILLAR LENGTH	BUSH LENGTH	DAYLIGHT	STROKE
6 RM	230 x 140	9" x 5 1/2"	228.6	302	203	+0.0 -3.0	+0.0 -3.0 BASE ONLY	164	32	1	M24 x 2.0	19	115	90	80	60
7 RM	250 x 160	10" x 6 1/4"	254.0	327	221	45	55	183	32	1		22	120	90	80	60
8 RM	305 x 185	12" x 7 1/4"	304.8	381	251	45	65	210	32	1 1/4	M30 x 2.0	22	120	90	80	60
9 RM	355 x 215	14" x 8 1/2"	355.6	445	291	50	70	243	32	1 1/4		22	125	90	80	60
10 RM	405 x 230	16" x 9"	406.4	495	305	50	70	257	40	1 1/4		22	150	100	100	60
11 RM	455 x 265	18" x 10 1/2"	457.2	559	357	55	75	300	40	1 1/4		22	180	100	130	60
12 RM	510 x 280	20" x 11"	508.0	610	371	60	80	314	40	1 1/4		22	180	100	125	60

Pillar and bush lengths can be varied from the above, see pages 4/6 - 4/7.

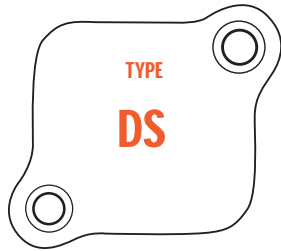
★ Machined flanges available as option – please specify ★

All die sets can be supplied with linear bearings.

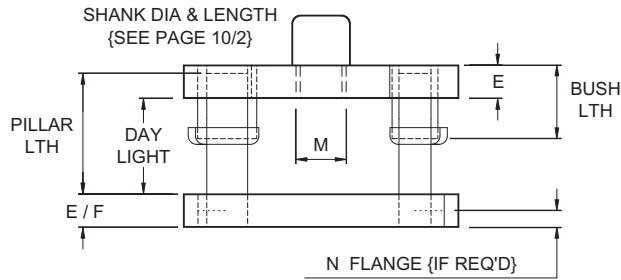
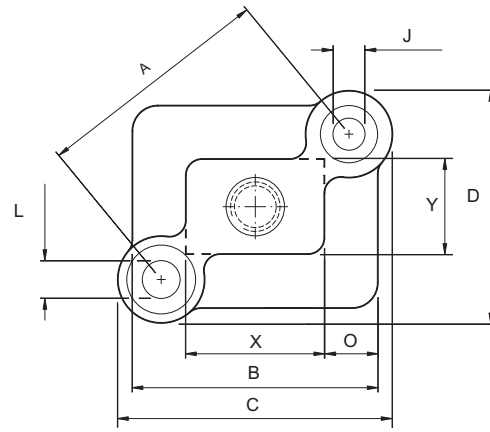
ATTENTION
Standard Assemblies
If the daylight as stated above is reduced, pillars will project at the bottom of the stroke.



TYPE DL
DIAGONAL PILLAR LONG



TYPE DS
DIAGONAL PILLAR SQUARE



TYPE	DIE SPACE		A	B	C	D	E	F	J	L	M		N	O
	X x Y	X x Y									WHIT in	ISO mm		
D 5L	75 x 50	3" x 2"	127.0	120	164	125	+0.0 -3.0	+0.0 -3.0 BASE ONLY	16	19	3/4	M20 x 1.5	13	22
D 6L	100 x 70	4" x 2 3/4"	152.4	146	183	145			16	19	3/4		13	22
D 7L	112 x 75	4 1/2" x 3"	177.8	158	210	159			16	19	3/4		16	22
D 8L	132 x 90	5 1/4" x 3 1/2"	203.2	182	230	176			19	25	3/4		16	25
D 9L	150 x 100	6" x 4"	228.6	202	256	192			19	25	1	M24 x 2.0	19	25
D 10L	170 x 112	6 3/4" x 4 1/2"	254.0	221	281	214			25	32	1		19	25
D 12L	215 x 140	8 1/2" x 5 1/2"	304.8	272	315	237			25	32	1 1/4	M30 x 2.0	22	28
D 14L	255 x 180	10" x 7"	355.6	310	370	281			25	32	1 1/4		22	28
D 16L	305 x 190	12" x 7 1/2"	406.4	381	428	302			32	40	1 1/4		22	38
D 18L	330 x 215	13" x 8 1/2"	457.2	406	483	352			32	40	1 1/4		22	38

STANDARD ASSEMBLY			
PILLAR LENGTH	BUSH LENGTH	DAYLIGHT	STROKE
90	65	70	45
90	65	65	45
100	65	75	45
100	65	70	40
115	75	80	50
120	75	85	45
125	75	85	45
140	90	95	50
150	90	105	50
150	90	100	50

TYPE	DIE SPACE		A	B	C	D	E	F	J	L	M		N	O
	X x Y	X x Y									WHIT in	ISO mm		
D 5S	63 x 63	2 1/2" x 2 1/2"	127.0	108	148	148	+0.0 -3.0	+0.0 -3.0 BASE ONLY	16	19	3/4	M20 x 1.5	13	22
D 6S	80 x 80	3 1/4" x 3 1/4"	152.4	125	167	167			16	19	3/4		13	22
D 7S	100 x 100	4" x 4"	177.8	145	187	187			16	19	3/4		16	22
D 8S	112 x 112	4 1/2" x 4 1/2"	203.2	163	205	205			19	25	3/4		16	25
D 9S	132 x 132	5 1/4" x 5 1/4"	228.6	182	224	224			19	25	1	M24 x 2.0	19	25
D 10S	150 x 150	6" x 6"	254.0	202	252	252			25	32	1		19	25
D 12S	185 x 185	7 1/4" x 7 1/4"	304.8	241	284	284			25	32	1 1/4	M30 x 2.0	22	28
D 14S	215 x 215	8 1/2" x 8 1/2"	355.6	271	328	328			25	32	1 1/4		22	28
D 16S	255 x 255	10" x 10"	406.4	331	372	372			32	40	1 1/4		22	38
D 18S	280 x 280	11" x 11"	457.2	356	422	422			32	40	1 1/4		22	38

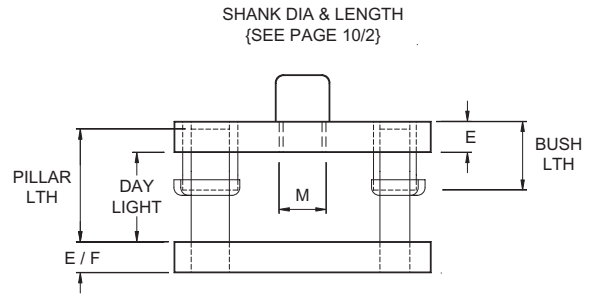
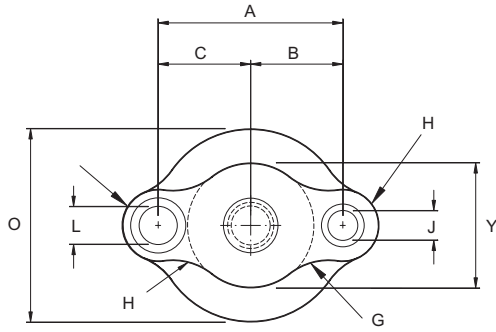
STANDARD ASSEMBLY			
PILLAR LENGTH	BUSH LENGTH	DAYLIGHT	STROKE
90	65	70	45
90	65	65	45
100	65	75	45
100	65	70	40
115	75	80	50
120	75	85	45
125	75	85	45
140	90	95	50
150	90	105	50
150	90	100	50

Pillar and bush lengths can be varied from the above, see pages 4/6 - 4/7.

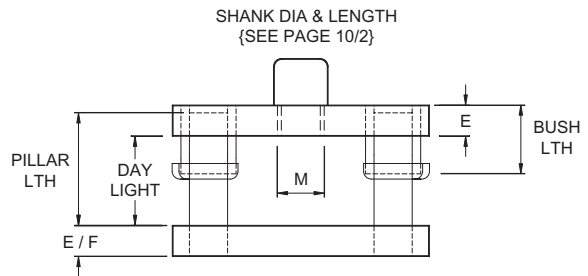
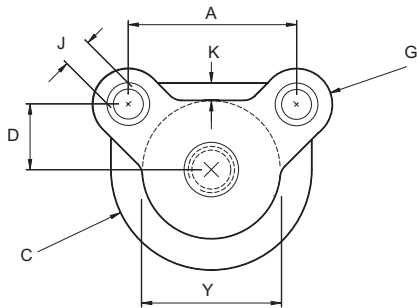
★ Machined flanges available as option – please specify ★

All die sets can be supplied with linear bearings.

ATTENTION
Standard Assemblies
If the daylight as stated above is reduced, pillars will project at the bottom of the stroke.



TYPE	DIE SPACE		A	B	C	E	F	G	H	J	L	M		O	STANDARD ASSEMBLY			
	Y											WHIT in	ISO mm		PILLAR LENGTH	BUSH LENGTH	DAYLIGHT	STROKE
CPC 5	90	3 1/2"	127.0	62.7	64.3	+0.0 -3.0	+0.0 -3.0 BASE ONLY	28.5	27	16	19	3/4	M20 x 1.5	133	90	65	65	45
CPC 6	112	4 1/2"	152.4	74.6	77.8			30	28.5	16	19	3/4		159	100	65	70	45
CPC 7	130	5 1/4"	177.8	88.1	89.7			32	30	19	25	3/4		180	120	75	90	50
CPC 8	150	6"	203.2	100.8	102.4			36.5	32	25	32	3/4		206	120	75	85	45
CPC 9	175	7"	228.6	113.5	115.1			38	36.5	25	32	1	M24 x 2.0	235	120	75	80	45



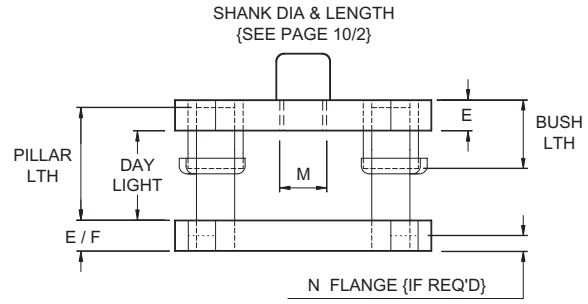
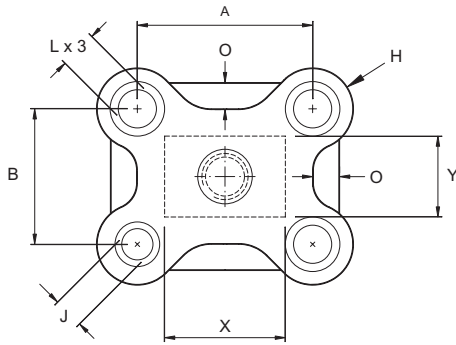
TYPE	DIE SPACE		A	C	D	E	F	G	J	K	M		STANDARD ASSEMBLY			
	Y										WHIT in	ISO mm	PILLAR LENGTH	BUSH LENGTH	DAYLIGHT	STROKE
RPC 3	75	3"	76.2	57	38	+0.0 -3.0	+0.0 -3.0 BASE ONLY	27	16	11	3/4	M20 x 1.5	100	65	80	50
RPC 4	100	4"	101.6	73	51			29	19	14	3/4		100	65	80	45
RPC 5	125	5"	127.0	89	63			30	25	17	3/4		110	75	80	50
RPC 6	150	6"	152.4	102	76			32	25	19	1	M24 x 2.0	115	75	85	50
RPC 7	175	7"	177.8	120	89			37	32	19	1		115	100	80	70

Pillar and bush lengths can be varied from the above, see pages 4/6 - 4/7.

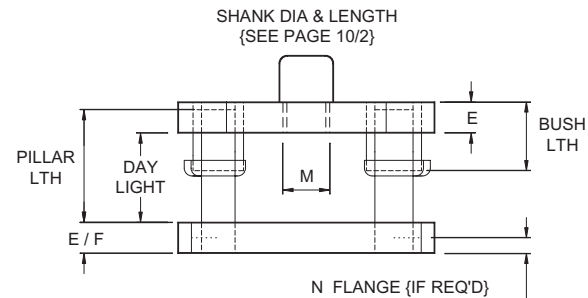
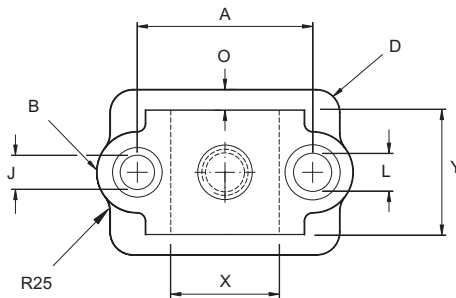
All die sets can be supplied with linear bearings.

Bases do not have clamping flanges.

ATTENTION
Standard Assemblies
If the daylight as stated above is reduced, pillars will project at the bottom of the stroke.



TYPE	DIE SPACE		A	B	E	F	H	J	L	M		N *	O	STANDARD ASSEMBLY			
	A x Y	B x X								WHIT in	ISO mm			PILLAR LENGTH	BUSH LENGTH	DAYLIGHT	STROKE
FPR 8	200 x 100 8" x 4"	145 x 160 5¾" x 6¼"	203.20	146.05	+0.0 -3.0	+0.0 -3.0 BASE ONLY	32	19	25	1	M24 x 2.0	19	25	115	75	85	50
FPR 9	230 x 112 9" x 4½"	165 x 180 6½" x 7"	228.60	165.10	40	50	36	32	25	1	M24 x 2.0	19	28	120	75	85	45
FPR 10	255 x 125 10" x 5"	180 x 200 7" x 8"	254.00	177.80	45	55	38	32	25	1¼"	M30 x 2.0	22	28	140	90	100	60



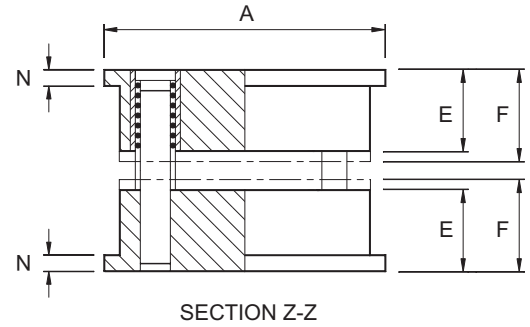
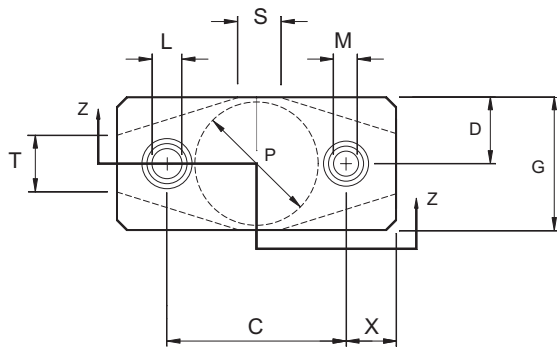
TYPE	DIE SPACE		A	B	D	E	F	J	L	M		N *	O	STANDARD ASSEMBLY			
	X x Y	X x Y								WHIT in	ISO mm			PILLAR LENGTH	BUSH LENGTH	DAYLIGHT	STROKE
CPR 4	63 x 75	2½" x 3"	101.6	28.5	22.2	25	35	16	19	¾	M20 x 1.5	13	19	90	65	70	45
CPR 6	112 x 112	4½" x 3½"	152.4	30.2	25.4	35	40	16	19	¾	M20 x 1.5	13	22	100	65	70	45
CPR 7	132 x 120	5¼" x 4¾"	177.8	31.7	28.5	35	45	19	25	¾	M20 x 1.5	16	25	120	75	90	50
CPR 8	160 x 140	6¼" x 5½"	203.2	36.5	28.5	40	45	25	32	1	M24 x 2.0	16	25	120	75	85	45
CPR 9	185 x 150	7¼" x 6"	228.6	36.5	31.7	45	50	25	32	1	M24 x 2.0	19	28	120	75	80	45
CPR 10	200 x 190	8" x 7½"	254.0	38.1	31.7	45	55	25	32	1¼"	M30 x 2.0	19	28	140	75	100	45

Pillar and bush lengths can be varied from the above, see pages 4/6 - 4/7.

* Machined flanges available as option – please specify *

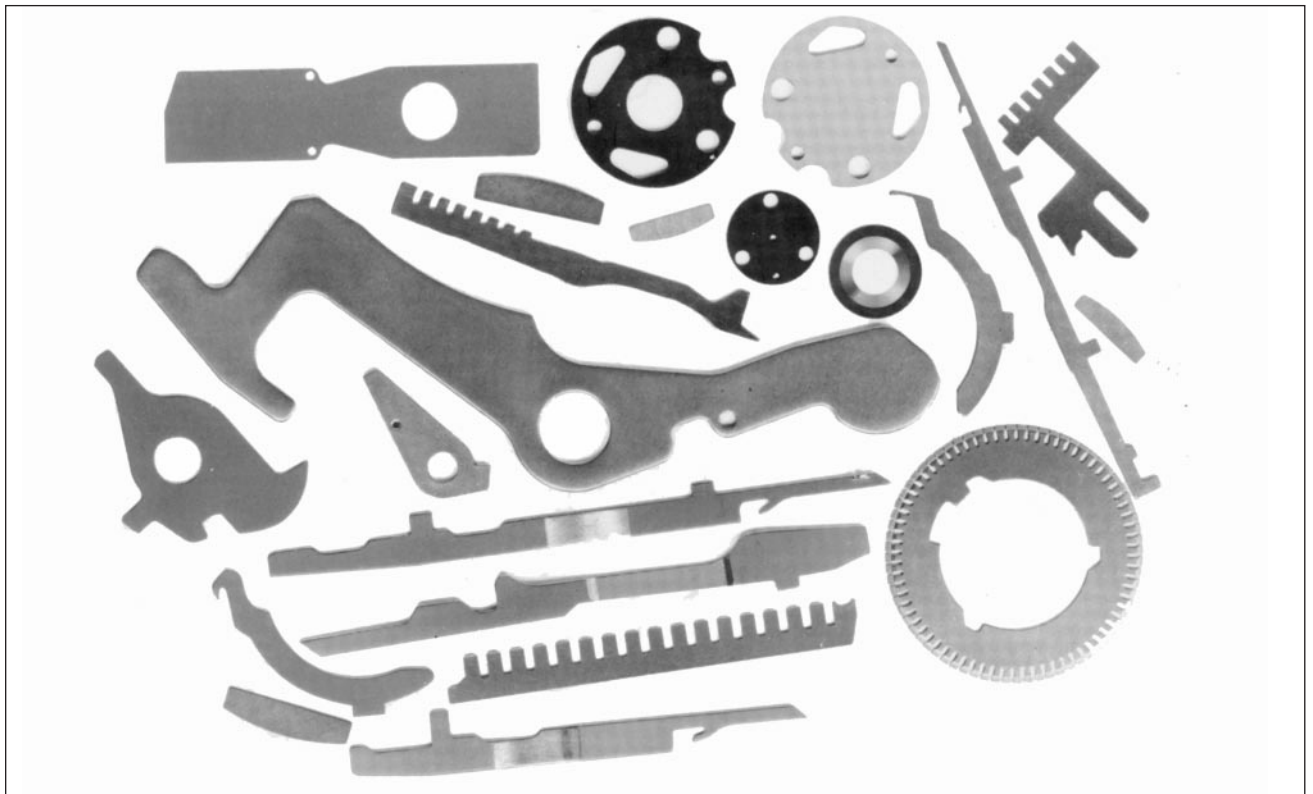
All die sets can be supplied with linear bearings.

ATTENTION
Standard Assemblies
 If the daylight as stated above is reduced, pillars will project at the bottom of the stroke.



TYPE FB	DIE SPACE P	A	C	D	E	F +0.1 -0	G +0.1 -0	S	T	X	L	M	N
FB 6	106	229	152.4	57	75	90	114	49	34	38	24	25	22
FB 7	125	279	177.8	70	75	90	140	33	30	50	25	30	25
FB 8	145	289	203.2	79.5	75	90	159	35	46	42	30	32	27
FB 9	170	308	228.6	89	75	90	178	30	54	38	32	40	29
FB 10	195	340	254.0	101.5	75	95	203	26	63	41	32	40	32
FB 13	254	445	330.2	127	75	100	254	51	78	52	40	42	35

These sets are supplied with linear bearings.



Components courtesy of Mitchell Grieve Ltd. and Fine Blanks Ltd.