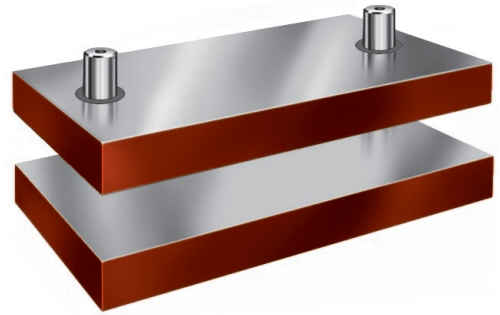
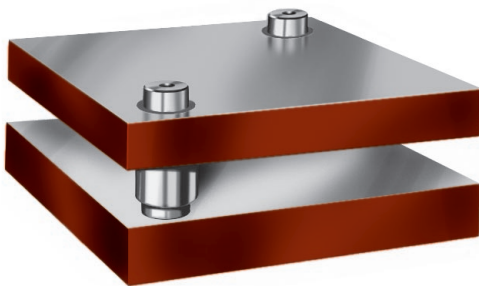


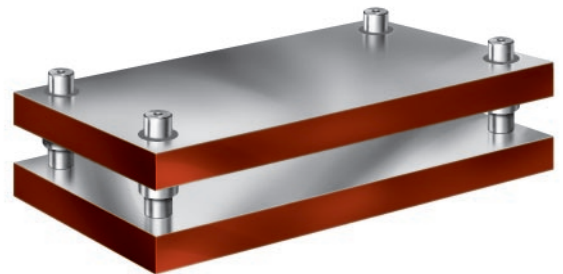
SR-R



SR-C



SR-D



SR-F

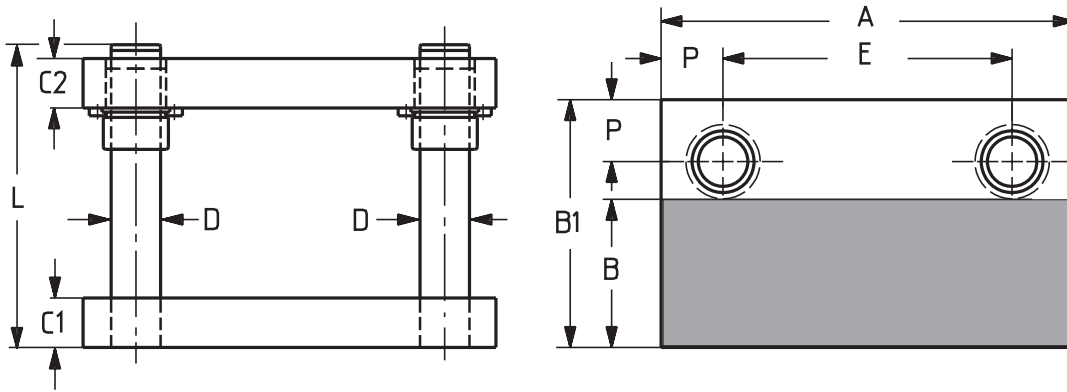
ORDERING INFORMATION

When ordering please specify:

- (i) Quantity of die sets.
- (ii) Full die set catalogue reference eg. 4020-F-3. **Or** 4020-F-3/S, see (v) below.
- (iii) Quote guide pillar and bush reference numbers (see pages 4/2 to 4/7) **or** quote 'Standard Assembly'. In this case you will receive standard pillar length 'L' and long shoulder demountable bushes (type - 64).
- (iv) Shank reference number (see page 10/2) and position if required.
- (v) If stripper plate is required, add suffix /S to die set catalogue reference number and state required plate thickness.

N.B. The preferred standard for pillars and bushes are those shown on pages 4/2 to 4/5.

FOR SIZES NOT LISTED IN THIS SECTION REFER TO PAGES 3/4 TO 3/11.

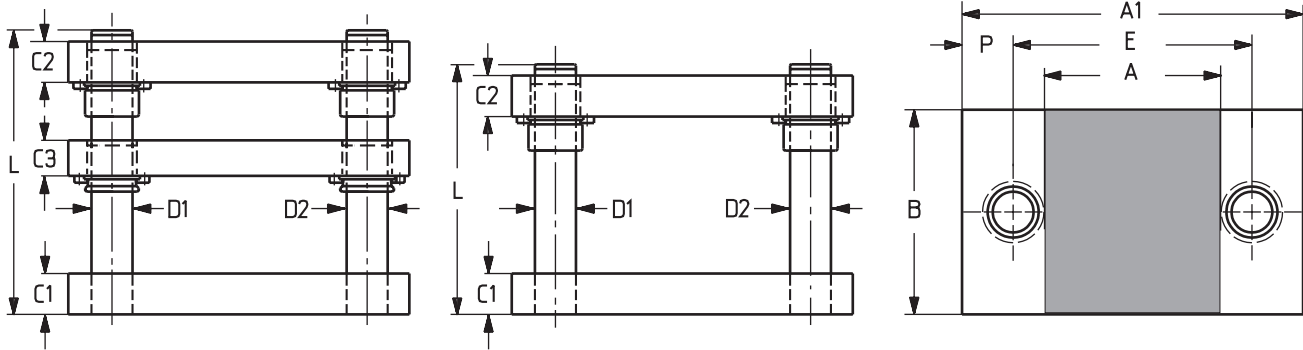


CATALOGUE NUMBER	DIE SPACE	B ₁	C ₁ ±2	C ₂ ±2	D	E	P	L				
	A x B											
1610-R-1 1610-R-2 1610-R-3 1610-R-4	160 x 55	100	25 30 25 30	25 25 30 30	19	104	28	120				
1612-R-1 1612-R-2 1612-R-3 1612-R-4	160 x 80	125	25 30 25 30	25 25 30 30								
1615-R-1 1615-R-2 1615-R-3 1615-R-4	160 x 105	150	25 30 25 30	25 25 30 30								
2012-R-1 2012-R-2 2012-R-3 2012-R-4	200 x 64	125	30 40 30 40	30 30 40 40								
2015-R-1 2015-R-2 2015-R-3 2015-R-4	200 x 89	150	30 40 30 40	30 30 40 40								
2017-R-1 2017-R-2 2017-R-3 2017-R-4	200 x 114	175	30 40 30 40	30 30 40 40					25	122	39	140
2020-R-1 2020-R-2 2020-R-3 2020-R-4	200 x 139	200	30 40 30 40	30 30 40 40								
2512-R-1 2512-R-2 2512-R-3 2512-R-4	250 x 64	125	30 40 30 40	30 30 40 40								
2515-R-1 2515-R-2 2515-R-3 2515-R-4	250 x 89	150	30 40 30 40	30 30 40 40								
2517-R-1 2517-R-2 2517-R-3 2517-R-4	250 x 114	175	30 40 30 40	30 30 40 40								
2520-R-1 2520-R-2 2520-R-3 2520-R-4	250 x 139	200	30 40 30 40	30 30 40 40								
2525-R-1 2525-R-2 2525-R-3 2525-R-4	250 x 189	250	30 40 30 40	30 30 40 40								
3117-R-1 3117-R-2 3117-R-3 3117-R-4	315 x 104	175	40 50 40 50	40 40 50 50	32	225	45	180				
3120-R-1 3120-R-2 3120-R-3 3120-R-4	315 x 129	200	40 50 40 50	40 40 50 50								

Rear pillar die sets can be supplied with reversed configuration (longer from front to back).

CATALOGUE NUMBER	DIE SPACE	B ₁	C _{1±2}	C _{2±2}	D	E	P	L
	A x B							
3125-R-1 3125-R-2 3125-R-3 3125-R-4	315 x 179	250	40 50 40 50	40 40 50 50	32	225	45	180
3131-R-1 3131-R-2 3131-R-3 3131-R-4	315 x 244	315	40 50 40 50	40 40 50 50				
4020-R-1 4020-R-2 4020-R-3 4020-R-4	400 x 129	200	40 50 40 50	40 40 50 50	32	310	45	200
4025-R-1 4025-R-2 4025-R-3 4025-R-4	400 x 179	250	40 50 40 50	40 40 50 50				
4031-R-1 4031-R-2 4031-R-3 4031-R-4	400 x 230	315	40 50 40 50	40 40 50 50	40	292	54	200
4040-R-1 4040-R-2 4040-R-3 4040-R-4	400 x 315	400	40 50 40 50	40 40 50 50				
5025-R-1 5025-R-2 5025-R-3 5025-R-4	500 x 165	250	40 50 40 50	40 40 50 50	40	392	54	220
5031-R-1 5031-R-2 5031-R-3 5031-R-4	500 x 230	315	40 50 40 50	40 40 50 50				
5040-R-1 5040-R-2 5040-R-3 5040-R-4	500 x 315	400	40 50 40 50	40 40 50 50	50	512	59	240
5050-R-1 5050-R-2 5050-R-3 5050-R-4	500 x 415	500	40 50 40 50	40 40 50 50				
6331-R-1 6331-R-2 6331-R-3 6331-R-4	630 x 218	315	50 58 50 58	50 50 58 58	50	512	59	240
6340-R-1 6340-R-2 6340-R-3 6340-R-4	630 x 303	400	50 58 50 58	50 50 58 58				
6350-R-1 6350-R-2 6350-R-3 6350-R-4	630 x 403	500	50 58 50 58	50 50 58 58	50	592	59	260
6363-R-1 6363-R-2 6363-R-3 6363-R-4	630 x 533	630	50 58 50 58	50 50 58 58				
7140-R-1 7140-R-2 7140-R-3 7140-R-4	710 x 303	400	58 63 58 63	58 58 63 63	50	592	59	260
7150-R-1 7150-R-2 7150-R-3 7150-R-4	710 x 403	500	58 63 58 63	58 58 63 63				
7163-R-1 7163-R-2 7163-R-3 7163-R-4	710 x 533	630	58 63 58 63	58 58 63 63	50	682	59	260
8040-R-1 8040-R-2 8040-R-3 8040-R-4	800 x 303	400	58 63 58 63	58 58 63 63				
8050-R-1 8050-R-2 8050-R-3 8050-R-4	800 x 403	500	58 63 58 63	58 58 63 63	50	682	59	260
8063-R-1 8063-R-2 8063-R-3 8063-R-4	800 x 533	630	58 63 58 63	58 58 63 63				

Demountable pillars type – 83, extra long bushes type – 65, sintered bronze, and Sinterlube bushes can be fitted at extra cost.

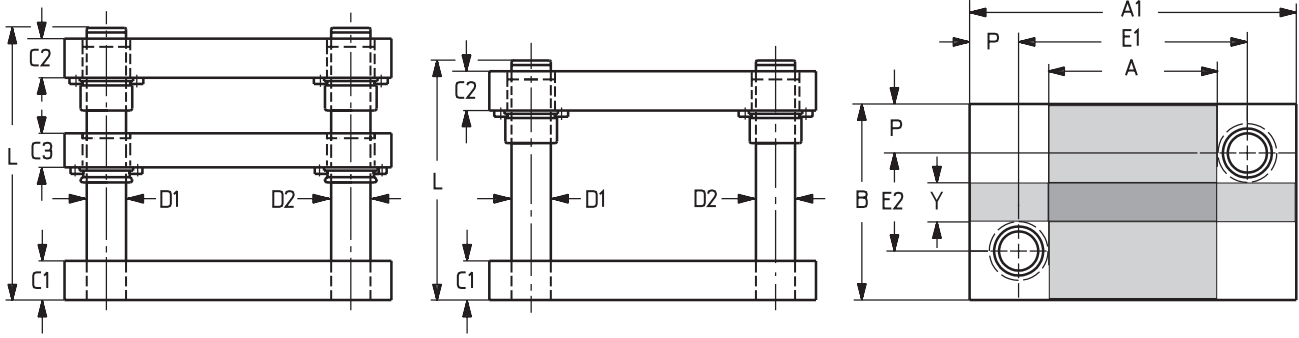


C3 PLATE TO ORDER

CATALOGUE NUMBER	DIE SPACE	A ₁	C ₁ ±2	C ₂ ±2	D ₁	D ₂	E	P	L
	A x B								
1608-C-1 1608-C-2 1608-C-3 1608-C-4	70 x 80	160	25 30 25 30	25 25 30 30	18	19	104	28	120
1612-C-1 1612-C-2 1612-C-3 1612-C-4	70 x 125	160	25 30 25 30	25 25 30 30					
1615-C-1 1615-C-2 1615-C-3 1615-C-4	70 x 150	160	25 30 25 30	25 25 30 30					
2010-C-1 2010-C-2 2010-C-3 2010-C-4	78 x 100	200	30 40 30 40	30 30 40 40	24	25	122	39	140
2017-C-1 2017-C-2 2017-C-3 2017-C-4	78 x 175	200	30 40 30 40	30 30 40 40					
2020-C-1 2020-C-2 2020-C-3 2020-C-4	78 x 200	200	30 40 30 40	30 30 40 40					
2512-C-1 2512-C-2 2512-C-3 2512-C-4	128 x 125	250	30 40 30 40	30 30 40 40	24	25	172	39	160
2515-C-1 2515-C-2 2515-C-3 2515-C-4	128 x 150	250	30 40 30 40	30 30 40 40					
2517-C-1 2517-C-2 2517-C-3 2517-C-4	128 x 175	250	30 40 30 40	30 30 40 40					
2520-C-1 2520-C-2 2520-C-3 2520-C-4	128 x 200	250	30 40 30 40	30 30 40 40	25	32	225	45	180
2525-C-1 2525-C-2 2525-C-3 2525-C-4	128 x 250	250	30 40 30 40	30 30 40 40					
3117-C-1 3117-C-2 3117-C-3 3117-C-4	175 x 175	315	40 50 40 50	40 40 50 50					
3120-C-1 3120-C-2 3120-C-3 3120-C-4	175 x 200	315	40 50 40 50	40 40 50 50	25	32	225	45	180
3125-C-1 3125-C-2 3125-C-3 3125-C-4	175 x 250	315	40 50 40 50	40 40 50 50					
3131-C-1 3131-C-2 3131-C-3 3131-C-4	175 x 315	315	40 50 40 50	40 40 50 50					

CATALOGUE NUMBER	DIE SPACE	A ₁	C _{1±2}	C _{2±2}	D ₁	D ₂	E	P	L
	A x B								
4020-C-1 4020-C-2 4020-C-3 4020-C-4	230 x 200	400	40 50 40 50	40 40 50 50	32	40	292	54	200
4025-C-1 4025-C-2 4025-C-3 4025-C-4	230 x 250	400	40 50 40 50	40 40 50 50					
4031-C-1 4031-C-2 4031-C-3 4031-C-4	230 x 315	400	40 50 40 50	40 40 50 50					
4040-C-1 4040-C-2 4040-C-3 4040-C-4	230 x 400	400	40 50 40 50	40 40 50 50					
5025-C-1 5025-C-2 5025-C-3 5025-C-4	330 x 250	500	40 50 40 50	40 40 50 50	32	40	392	54	220
5031-C-1 5031-C-2 5031-C-3 5031-C-4	330 x 315	500	40 50 40 50	40 40 50 50					
5040-C-1 5040-C-2 5040-C-3 5040-C-4	330 x 400	500	40 50 40 50	40 40 50 50					
5050-C-1 5050-C-2 5050-C-3 5050-C-4	330 x 500	500	40 50 40 50	40 40 50 50					
6331-C-1 6331-C-2 6331-C-3 6331-C-4	440 x 315	630	50 58 50 58	50 50 58 58	40	50	512	59	240
6340-C-1 6340-C-2 6340-C-3 6340-C-4	440 x 400	630	50 58 50 58	50 50 58 58					
6350-C-1 6350-C-2 6350-C-3 6350-C-4	440 x 500	630	50 58 50 58	50 50 58 58					
6363-C-1 6363-C-2 6363-C-3 6363-C-4	440 x 630	630	50 58 50 58	50 50 58 58					
7140-C-1 7140-C-2 7140-C-3 7140-C-4	520 x 400	710	58 63 58 63	58 58 63 63	50	52	592	59	260
7150-C-1 7150-C-2 7150-C-3 7150-C-4	520 x 500	710	58 63 58 63	58 58 63 63					
7163-C-1 7163-C-2 7163-C-3 7163-C-4	520 x 630	710	58 63 58 63	58 58 63 63					
8040-C-1 8040-C-2 8040-C-3 8040-C-4	610 x 400	800	58 63 58 63	58 58 63 63					
8050-C-1 8050-C-2 8050-C-3 8050-C-4	610 x 500	800	58 63 58 63	58 58 63 63	50	52	682	59	260
8063-C-1 8063-C-2 8063-C-3 8063-C-4	610 x 630	800	58 63 58 63	58 58 63 63					

Demountable pillars type – 83, extra long bushes type – 65, sintered bronze, and Sinterlube bushes can be fitted at extra cost.



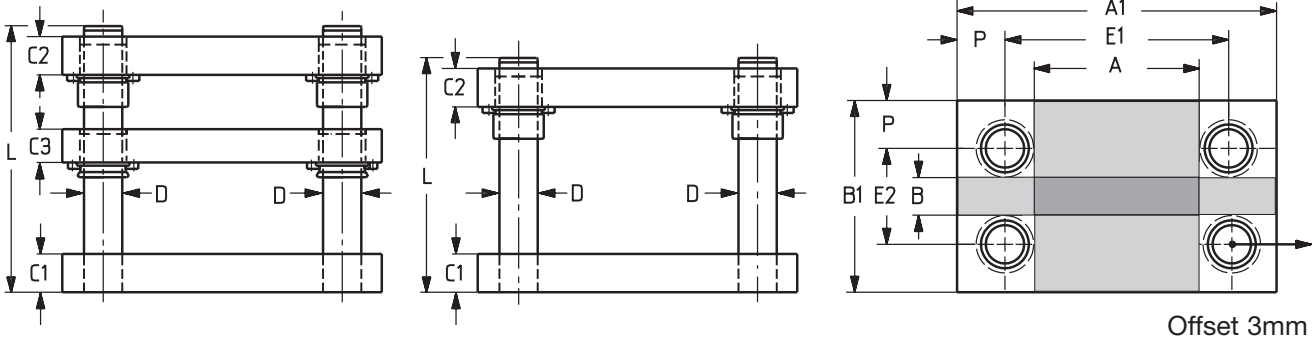
C3 PLATE TO ORDER

Pillar positions can be mirrored if required.

CATALOGUE NUMBER	DIE SPACE	Y	A ₁	C ₁ ±2	C ₂ ±2	D ₁	D ₂	E ₁	E ₂	P	L
	A x B										
1612-D-1 1612-D-2 1612-D-3 1612-D-4	70 x 125	35	160	25 30 25 30	25 25 30 30	18	19	104	69	28	120
1615-D-1 1615-D-2 1615-D-3 1615-D-4	70 x 150	60	160	25 30 25 30	25 25 30 30			104	94		
2017-D-1 2017-D-2 2017-D-3 2017-D-4	78 x 175	53	200	30 40 30 40	30 30 40 40	24	25	122	97	39	140
2020-D-1 2020-D-2 2020-D-3 2020-D-4	78 x 200	78	200	30 40 30 40	30 30 40 40			122	122		
2515-D-1 2515-D-2 2515-D-3 2515-D-4	128 x 150	28	250	30 40 30 40	30 30 40 40	24	25	172	72	39	160
2517-D-1 2517-D-2 2517-D-3 2517-D-4	128 x 175	53	250	30 40 30 40	30 30 40 40			172	97		
2520-D-1 2520-D-2 2520-D-3 2520-D-4	128 x 200	78	250	30 40 30 40	30 30 40 40			172	122		
2525-D-1 2525-D-2 2525-D-3 2525-D-4	128 x 250	128	250	30 40 30 40	30 30 40 40			172	172		
3117-D-1 3117-D-2 3117-D-3 3117-D-4	175 x 175	33	315	40 50 40 50	40 40 50 50	25	32	225	85	45	180
3120-D-1 3120-D-2 3120-D-3 3120-D-4	175 x 200	58	315	40 50 40 50	40 40 50 50			225	110		
3125-D-1 3125-D-2 3125-D-3 3125-D-4	175 x 250	108	315	40 50 40 50	40 40 50 50			225	160		
3131-D-1 3131-D-2 3131-D-3 3131-D-4	175 x 315	175	315	40 50 40 50	40 40 50 50			225	225		

CATALOGUE NUMBER	DIE SPACE	Y	A ₁	C _{1±2}	C _{2±2}	D ₁	D ₂	E ₁	E ₂	P	L
	A x B										
4020-D-1 4020-D-2 4020-D-3 4020-D-4	230 x 200	32	400	40 50 40 50	40 40 50 50	32	40	292	92	54	200
4025-D-1 4025-D-2 4025-D-3 4025-D-4	230 x 250	82	400	40 50 40 50	40 40 50 50			292	142		
4031-D-1 4031-D-2 4031-D-3 4031-D-4	230 x 315	147	400	40 50 40 50	40 40 50 50			292	207		
4040-D-1 4040-D-2 4040-D-3 4040-D-4	230 x 400	230	400	40 50 40 50	40 40 50 50			292	292		
5025-D-1 5025-D-2 5025-D-3 5025-D-4	330 x 250	82	500	40 50 40 50	40 40 50 50	32	40	392	142	54	220
5031-D-1 5031-D-2 5031-D-3 5031-D-4	330 x 315	147	500	40 50 40 50	40 40 50 50			392	207		
5040-D-1 5040-D-2 5040-D-3 5040-D-4	330 x 400	232	500	40 50 40 50	40 40 50 50			392	292		
5050-D-1 5050-D-2 5050-D-3 5050-D-4	330 x 500	330	500	40 50 40 50	40 40 50 50			392	392		
6331-D-1 6331-D-2 6331-D-3 6331-D-4	440 x 315	121	630	50 58 50 58	50 50 58 58	40	50	512	197	59	240
6340-D-1 6340-D-2 6340-D-3 6340-D-4	440 x 400	206	630	50 58 50 58	50 50 58 58			512	282		
6350-D-1 6350-D-2 6350-D-3 6350-D-4	440 x 500	306	630	50 58 50 58	50 50 58 58			512	382		
6363-D-1 6363-D-2 6363-D-3 6363-D-4	440 x 630	436	630	50 58 50 58	50 50 58 58			512	512		
7140-D-1 7140-D-2 7140-D-3 7140-D-4	520 x 400	206	710	58 63 58 63	58 58 63 63	50	52	592	282	59	260
7150-D-1 7150-D-2 7150-D-3 7150-D-4	520 x 500	306	710	58 63 58 63	58 58 63 63			592	382		
7163-D-1 7163-D-2 7163-D-3 7163-D-4	520 x 630	436	710	58 63 58 63	58 58 63 63			592	512		
8040-D-1 8040-D-2 8040-D-3 8040-D-4	610 x 400	206	800	58 63 58 63	58 58 63 63			682	282		
8050-D-1 8050-D-2 8050-D-3 8050-D-4	610 x 500	306	800	58 63 58 63	58 58 63 63	50	52	682	382	59	260
8063-D-1 8063-D-2 8063-D-3 8063-D-4	610 x 630	436	800	58 63 58 63	58 58 63 63			682	512		

Demountable pillars type – 83, extra long bushes type – 65, sintered bronze, and Sinterlube bushes can be fitted at extra cost.



C3 PLATE TO ORDER

CATALOGUE NUMBER	BETWEEN BUSHES		A ₁	B ₁	C ₁ ±2	C ₂ ±2	D	E ₁	E ₂	P	L
	A	B									
1612-F-1 1612-F-2 1612-F-3 1612-F-4	70	35	160	125	25 30 25 30	25 25 30 30	19	104	69	28	120
1615-F-1 1615-F-2 1615-F-3 1615-F-4	70	60	160	150	25 30 25 30	25 25 30 30		104	94		
2012-F-1 2012-F-2 2012-F-3 2012-F-4	110	35	200	125	30 40 30 40	30 30 40 40	19	144	69	28	140
2015-F-1 2015-F-2 2015-F-3 2015-F-4	110	60	200	150	30 40 30 40	30 30 40 40		144	94		
2017-F-1 2017-F-2 2017-F-3 2017-F-4	110	85	200	175	30 40 30 40	30 30 40 40		144	119		
2020-F-1 2020-F-2 2020-F-3 2020-F-4	110	110	200	200	30 40 30 40	30 30 40 40		144	144		
2515-F-1 2515-F-2 2515-F-3 2515-F-4	128	28	250	150	30 40 30 40	30 30 40 40	25	172	72	39	160
2517-F-1 2517-F-2 2517-F-3 2517-F-4	128	53	250	175	30 40 30 40	30 30 40 40		172	97		
2520-F-1 2520-F-2 2520-F-3 2520-F-4	128	78	250	200	30 40 30 40	30 30 40 40		172	122		
2525-F-1 2525-F-2 2525-F-3 2525-F-4	128	128	250	250	30 40 30 40	30 30 40 40	172	172			
3117-F-1 3117-F-2 3117-F-3 3117-F-4	193	53	315	175	40 50 40 50	40 40 50 50	25	237	97	39	180
3120-F-1 3120-F-2 3120-F-3 3120-F-4	193	78	315	200	40 50 40 50	40 40 50 50		237	122		
3125-F-1 3125-F-2 3125-F-3 3125-F-4	193	128	315	250	40 50 40 50	40 40 50 50		237	172		
3131-F-1 3131-F-2 3131-F-3 3131-F-4	193	193	315	315	40 50 40 50	40 40 50 50	237	237			

CATALOGUE NUMBER	BETWEEN BUSHES		A ₁	B ₁	C _{1±2}	C _{2±2}	D	E ₁	E ₂	P	L
	A	B									
4020-F-1 4020-F-2 4020-F-3 4020-F-4	258	58	400	200	40 50 40 50	40 40 50 50	32	310	110	45	200
4025-F-1 4025-F-2 4025-F-3 4025-F-4	258	108	400	250	40 50 40 50	40 40 50 50		310	160		
4031-F-1 4031-F-2 4031-F-3 4031-F-4	258	173	400	315	40 50 40 50	40 40 50 50		310	225		
4040-F-1 4040-F-2 4040-F-3 4040-F-4	258	258	400	400	40 50 40 50	40 40 50 50		310	310		
5025-F-1 5025-F-2 5025-F-3 5025-F-4	358	108	500	250	40 50 40 50	40 40 50 50	32	410	160	45	220
5031-F-1 5031-F-2 5031-F-3 5031-F-4	358	173	500	315	40 50 40 50	40 40 50 50		410	225		
5040-F-1 5040-F-2 5040-F-3 5040-F-4	358	258	500	400	40 50 40 50	40 40 50 50		410	310		
5050-F-1 5050-F-2 5050-F-3 5050-F-4	358	358	500	500	40 50 40 50	40 40 50 50		410	410		
6331-F-1 6331-F-2 6331-F-3 6331-F-4	460	145	630	315	50 58 50 58	50 50 58 58	40	522	207	54	240
6340-F-1 6340-F-2 6340-F-3 6340-F-4	460	230	630	400	50 58 50 58	50 50 58 58		522	292		
6350-F-1 6350-F-2 6350-F-3 6350-F-4	460	330	630	500	50 58 50 58	50 50 58 58		522	392		
6363-F-1 6363-F-2 6363-F-3 6363-F-4	460	460	630	630	50 58 50 58	50 50 58 58		522	522		
7140-F-1 7140-F-2 7140-F-3 7140-F-4	516	206	710	400	58 63 58 63	58 58 63 63	50	592	282	59	260
7150-F-1 7150-F-2 7150-F-3 7150-F-4	516	306	710	500	58 63 58 63	58 58 63 63		592	382		
7163-F-1 7163-F-2 7163-F-3 7163-F-4	516	436	710	630	58 63 58 63	58 58 63 63		592	512		
8040-F-1 8040-F-2 8040-F-3 8040-F-4	606	206	800	400	58 63 58 63	58 58 63 63		50	682		
8050-F-1 8050-F-2 8050-F-3 8050-F-4	606	306	800	500	58 63 58 63	58 58 63 63	682		382		
8063-F-1 8063-F-2 8063-F-3 8063-F-4	606	436	800	630	58 63 58 63	58 58 63 63	682		512		

Demountable pillars type – 83, extra long bushes type – 65, sintered bronze, and Sinterlube bushes can be fitted at extra cost.

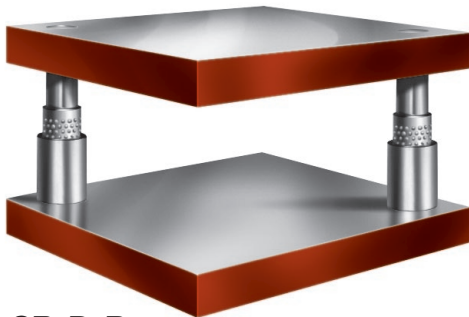
BLANK PAGE



SR-R-B



SR-C-B



SR-D-B



SR-F-B

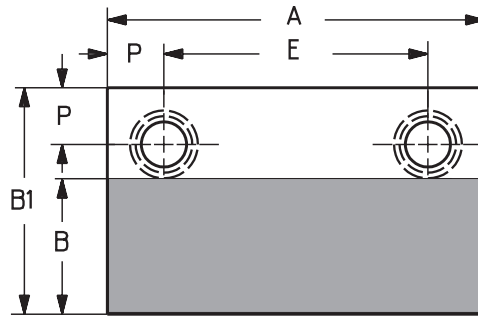
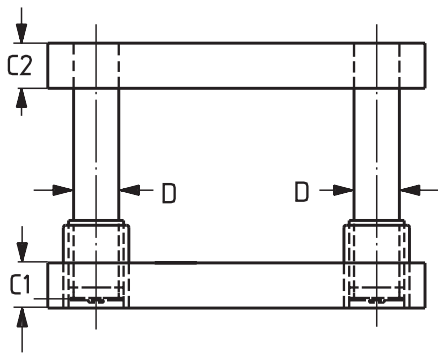
ORDERING INFORMATION

When ordering please specify:

- (i) Quantity of die sets.
- (ii) Full die set catalogue reference eg. 4020-FB-3. **Or** 4020-FB-3/S, see (v) below.
- (iii) Guide pillar, bush and cage reference numbers (see pages 4/14 to 4/28).
- (iv) Shank reference number (see page 10/2) and position.
- (v) If stripper plate is required, add suffix /S to die set catalogue reference number and state required plate thickness.

N.B. Die space quoted in this section is when using straight sleeve bushes (type – 86). Any other bush types will reduce this area.

FOR SIZES NOT LISTED IN THIS SECTION REFER TO PAGES 3/4 TO 3/11.



NOTES

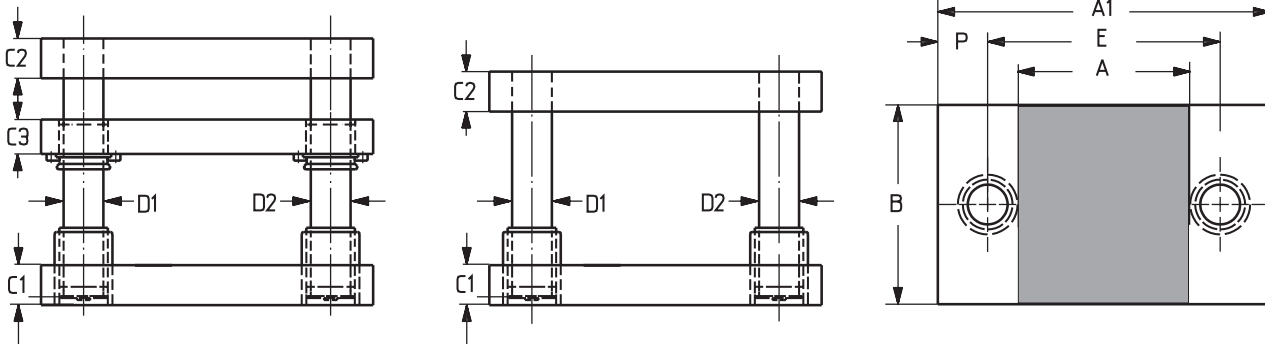
- When ordering state preferred ball bush type.
- Die sets with 19 diameter elements will have pillars in base and be fitted with BAC type bushes.*
- When using demountable bushes die space B will be reduced.

CATALOGUE NUMBER	DIE SPACE	B_1	$C_{1\pm 2}$	$C_{2\pm 2}$	D	E	P
	$A \times B$						
1610-R-B-1 1610-R-B-2 1610-R-B-3 1610-R-B-4	160 x 55	100	25 30 25 30	25 25 30 30	19*	104	28
1612-R-B-1 1612-R-B-2 1612-R-B-3 1612-R-B-4	160 x 80	125	25 30 25 30	25 25 30 30			
1615-R-B-1 1615-R-B-2 1615-R-B-3 1615-R-B-4	160 x 105	150	25 30 25 30	25 25 30 30			
2012-R-B-1 2012-R-B-2 2012-R-B-3 2012-R-B-4	200 x 64	125	30 40 30 40	30 30 40 40			
2015-R-B-1 2015-R-B-2 2015-R-B-3 2015-R-B-4	200 x 89	150	30 40 30 40	30 30 40 40	25	122	39
2017-R-B-1 2017-R-B-2 2017-R-B-3 2017-R-B-4	200 x 114	175	30 40 30 40	30 30 40 40			
2020-R-B-1 2020-R-B-2 2020-R-B-3 2020-R-B-4	200 x 139	200	30 40 30 40	30 30 40 40			
2512-R-B-1 2512-R-B-2 2512-R-B-3 2512-R-B-4	250 x 64	125	30 40 30 40	30 30 40 40			
2515-R-B-1 2515-R-B-2 2515-R-B-3 2515-R-B-4	250 x 89	150	30 40 30 40	30 30 40 40	25	172	39
2517-R-B-1 2517-R-B-2 2517-R-B-3 2517-R-B-4	250 x 114	175	30 40 30 40	30 30 40 40			
2520-R-B-1 2520-R-B-2 2520-R-B-3 2520-R-B-4	250 x 139	200	30 40 30 40	30 30 40 40			
2525-R-B-1 2525-R-B-2 2525-R-B-3 2525-R-B-4	250 x 189	250	30 40 30 40	30 30 40 40			

Rear pillar die sets can be supplied with reversed configuration (longer from front to back).

CATALOGUE NUMBER	DIE SPACE	B ₁	C _{1±2}	C _{2±2}	D	E	P
	A x B						
3117-R-B-1 3117-R-B-2 3117-R-B-3 3117-R-B-4	315 x 100	175	40 50 40 50	40 40 50 50	32	219	48
3120-R-B-1 3120-R-B-2 3120-R-B-3 3120-R-B-4	315 x 125	200	40 50 40 50	40 40 50 50			
3125-R-B-1 3125-R-B-2 3125-R-B-3 3125-R-B-4	315 x 175	250	40 50 40 50	40 40 50 50			
3131-R-B-1 3131-R-B-2 3131-R-B-3 3131-R-B-4	315 x 240	315	40 50 40 50	40 40 50 50			
4020-R-B-1 4020-R-B-2 4020-R-B-3 4020-R-B-4	400 x 125	200	40 50 40 50	40 40 50 50	32	304	48
4025-R-B-1 4025-R-B-2 4025-R-B-3 4025-R-B-4	400 x 175	250	40 50 40 50	40 40 50 50			
4031-R-B-1 4031-R-B-2 4031-R-B-3 4031-R-B-4	400 x 226	315	40 50 40 50	40 40 50 50	40	288	56
4040-R-B-1 4040-R-B-2 4040-R-B-3 4040-R-B-4	400 x 311	400	40 50 40 50	40 40 50 50			
5025-R-B-1 5025-R-B-2 5025-R-B-3 5025-R-B-4	500 x 161	250	40 50 40 50	40 40 50 50	40	388	56
5031-R-B-1 5031-R-B-2 5031-R-B-3 5031-R-B-4	500 x 226	315	40 50 40 50	40 40 50 50			
5040-R-B-1 5040-R-B-2 5040-R-B-3 5040-R-B-4	500 x 311	400	40 50 40 50	40 40 50 50			
5050-R-B-1 5050-R-B-2 5050-R-B-3 5050-R-B-4	500 x 411	500	40 50 40 50	40 40 50 50			
6331-R-B-1 6331-R-B-2 6331-R-B-3 6331-R-B-4	630 x 210	315	50 58 50 58	50 50 58 58	50	502	64
6340-R-B-1 6340-R-B-2 6340-R-B-3 6340-R-B-4	630 x 295	400	50 58 50 58	50 50 58 58			
6350-R-B-1 6350-R-B-2 6350-R-B-3 6350-R-B-4	630 x 395	500	50 58 50 58	50 50 58 58			
6363-R-B-1 6363-R-B-2 6363-R-B-3 6363-R-B-4	630 x 525	630	50 58 50 58	50 50 58 58			
7140-R-B-1 7140-R-B-2 7140-R-B-3 7140-R-B-4	710 x 295	400	58 63 58 63	58 58 63 63	50	582	64
7150-R-B-1 7150-R-B-2 7150-R-B-3 7150-R-B-4	710 x 395	500	58 63 58 63	58 58 63 63			
7163-R-B-1 7163-R-B-2 7163-R-B-3 7163-R-B-4	710 x 525	630	58 63 58 63	58 58 63 63			
8040-R-B-1 8040-R-B-2 8040-R-B-3 8040-R-B-4	800 x 295	400	58 63 58 63	58 58 63 63			
8050-R-B-1 8050-R-B-2 8050-R-B-3 8050-R-B-4	800 x 395	500	58 63 58 63	58 58 63 63	50	672	64
8063-R-B-1 8063-R-B-2 8063-R-B-3 8063-R-B-4	800 x 525	630	58 63 58 63	58 58 63 63			

Demountable pillars and bushes can be fitted where daylight permits at extra cost.



C3 PLATE TO ORDER

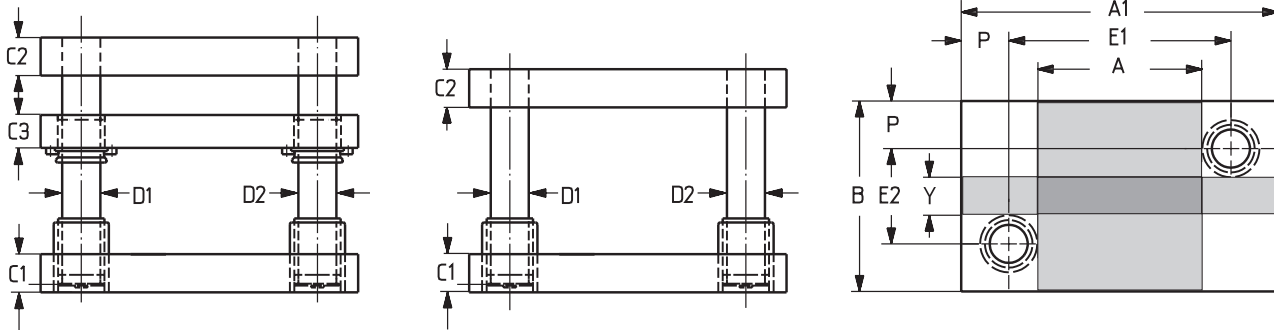
NOTES

- When ordering state preferred ball bush type.
- Die sets with 18 and 19, 24 and 25 diameter elements will have pillars in base and be fitted with BAC type bushes.*
- When using demountable bushes die space **A** will be reduced.

CATALOGUE NUMBER	DIE SPACE	A ₁	C ₁ ±2	C ₂ ±2	D ₁	D ₂	E	P
	A x B							
1608-C-B-1 1608-C-B-2 1608-C-B-3 1608-C-B-4	68 x 80	160	25 30 25 30	25 25 30 30	18*	19*	104	28
1612-C-B-1 1612-C-B-2 1612-C-B-3 1612-C-B-4	68 x 125	160	25 30 25 30	25 25 30 30				
1615-C-B-1 1615-C-B-2 1615-C-B-3 1615-C-B-4	68 x 150	160	25 30 25 30	25 25 30 30				
2010-C-B-1 2010-C-B-2 2010-C-B-3 2010-C-B-4	80 x 100	200	30 40 30 40	30 30 40 40	24*	25*	122	39
2017-C-B-1 2017-C-B-2 2017-C-B-3 2017-C-B-4	80 x 175	200	30 40 30 40	30 30 40 40				
2020-C-B-1 2020-C-B-2 2020-C-B-3 2020-C-B-4	80 x 200	200	30 40 30 40	30 30 40 40				
2512-C-B-1 2512-C-B-2 2512-C-B-3 2512-C-B-4	130 x 125	250	30 40 30 40	30 30 40 40	24*	25*	172	39
2515-C-B-1 2515-C-B-2 2515-C-B-3 2515-C-B-4	130 x 150	250	30 40 30 40	30 30 40 40				
2517-C-B-1 2517-C-B-2 2517-C-B-3 2517-C-B-4	130 x 175	250	30 40 30 40	30 30 40 40				
2520-C-B-1 2520-C-B-2 2520-C-B-3 2520-C-B-4	130 x 200	250	30 40 30 40	30 30 40 40	24*	25*	172	39
2525-C-B-1 2525-C-B-2 2525-C-B-3 2525-C-B-4	130 x 250	250	30 40 30 40	30 30 40 40				

CATALOGUE NUMBER	DIE SPACE	A ₁	C ₁ ±2	C ₂ ±2	D ₁	D ₂	E	P
	A x B							
3117-C-B-1 3117-C-B-2 3117-C-B-3 3117-C-B-4	165 x 175	315	40 50 40 50	40 40 50 50	25	32	219	48
3120-C-B-1 3120-C-B-2 3120-C-B-3 3120-C-B-4	165 x 200	315	40 50 40 50	40 40 50 50				
3125-C-B-1 3125-C-B-2 3125-C-B-3 3125-C-B-4	165 x 250	315	40 50 40 50	40 40 50 50				
3131-C-B-1 3131-C-B-2 3131-C-B-3 3131-C-B-4	165 x 315	315	40 50 40 50	40 40 50 50				
4020-C-B-1 4020-C-B-2 4020-C-B-3 4020-C-B-4	223 x 200	400	40 50 40 50	40 40 50 50	32	40	288	56
4025-C-B-1 4025-C-B-2 4025-C-B-3 4025-C-B-4	223 x 250	400	40 50 40 50	40 40 50 50				
4031-C-B-1 4031-C-B-2 4031-C-B-3 4031-C-B-4	223 x 315	400	40 50 40 50	40 40 50 50				
4040-C-B-1 4040-C-B-2 4040-C-B-3 4040-C-B-4	223 x 400	400	40 50 40 50	40 40 50 50				
5025-C-B-1 5025-C-B-2 5025-C-B-3 5025-C-B-4	323 x 250	500	40 50 40 50	40 40 50 50	32	40	388	56
5031-C-B-1 5031-C-B-2 5031-C-B-3 5031-C-B-4	323 x 315	500	40 50 40 50	40 40 50 50				
5040-C-B-1 5040-C-B-2 5040-C-B-3 5040-C-B-4	323 x 400	500	40 50 40 50	40 40 50 50				
5050-C-B-1 5050-C-B-2 5050-C-B-3 5050-C-B-4	323 x 500	500	40 50 40 50	40 40 50 50				
6331-C-B-1 6331-C-B-2 6331-C-B-3 6331-C-B-4	421 x 315	630	50 58 50 58	50 50 58 58	40	50	502	64
6340-C-B-1 6340-C-B-2 6340-C-B-3 6340-C-B-4	421 x 400	630	50 58 50 58	50 50 58 58				
6350-C-B-1 6350-C-B-2 6350-C-B-3 6350-C-B-4	421 x 500	630	50 58 50 58	50 50 58 58				
6363-C-B-1 6363-C-B-2 6363-C-B-3 6363-C-B-4	421 x 630	630	50 58 50 58	50 50 58 58				
7140-C-B-1 7140-C-B-2 7140-C-B-3 7140-C-B-4	469 x 400	710	58 63 58 63	58 58 63 63	50	63	564	73
7150-C-B-1 7150-C-B-2 7150-C-B-3 7150-C-B-4	469 x 500	710	58 63 58 63	58 58 63 63				
7163-C-B-1 7163-C-B-2 7163-C-B-3 7163-C-B-4	469 x 630	710	58 63 58 63	58 58 63 63				
8040-C-B-1 8040-C-B-2 8040-C-B-3 8040-C-B-4	559 x 400	800	58 63 58 63	58 58 63 63				
8050-C-B-1 8050-C-B-2 8050-C-B-3 8050-C-B-4	559 x 500	800	58 63 58 63	58 58 63 63	50	63	654	73
8063-C-B-1 8063-C-B-2 8063-C-B-3 8063-C-B-4	559 x 630	800	58 63 58 63	58 58 63 63				

Demountable pillars and bushes can be fitted where daylight permits at extra cost.



C3 PLATE TO ORDER

Pillar positions can be mirrored if required.

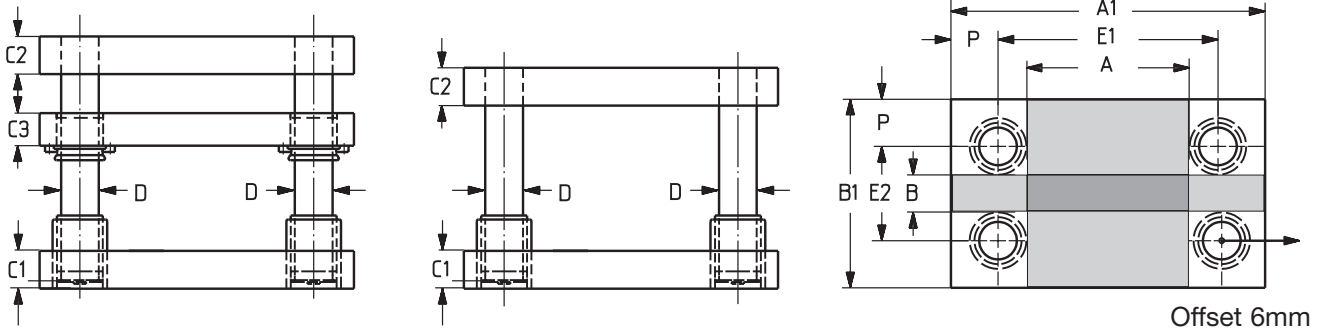
NOTES

- When ordering state preferred ball bush type.
- Die sets with 18 and 19, 24 and 25 diameter elements will have pillars in base and be fitted with BAC type bushes.*
- When using demountable bushes die space **A** and **Y** will be reduced.

CATALOGUE NUMBER	DIE SPACE	Y	A ₁	C ₁ ±2	C ₂ ±2	D ₁	D ₂	E ₁	E ₂	P
	A x B									
1612-D-B-1 1612-D-B-2 1612-D-B-3 1612-D-B-4	68 x 125	33	160	25 30 25 30	25 25 30 30	18*	19*	104	69	28
1615-D-B-1 1615-D-B-2 1615-D-B-3 1615-D-B-4	68 x 150	58	160	25 30 25 30	25 25 30 30			104	94	
2017-D-B-1 2017-D-B-2 2017-D-B-3 2017-D-B-4	80 x 175	55	200	30 40 30 40	30 30 40 40	24*	25*	122	97	39
2020-D-B-1 2020-D-B-2 2020-D-B-3 2020-D-B-4	80 x 200	80	200	30 40 30 40	30 30 40 40			122	122	
2515-D-B-1 2515-D-B-2 2515-D-B-3 2515-D-B-4	130 x 150	30	250	30 40 30 40	30 30 40 40	24*	25*	172	72	39
2517-D-B-1 2517-D-B-2 2517-D-B-3 2517-D-B-4	130 x 175	55	250	30 40 30 40	30 30 40 40			172	97	
2520-D-B-1 2520-D-B-2 2520-D-B-3 2520-D-B-4	130 x 200	80	250	30 40 30 40	30 30 40 40			172	122	
2525-D-B-1 2525-D-B-2 2525-D-B-3 2525-D-B-4	130 x 250	130	250	30 40 30 40	30 30 40 40			172	172	
3117-D-B-1 3117-D-B-2 3117-D-B-3 3117-D-B-4	165 x 175	25	315	40 50 40 50	40 40 50 50	25	32	219	79	48
3120-D-B-1 3120-D-B-2 3120-D-B-3 3120-D-B-4	165 x 200	50	315	40 50 40 50	40 40 50 50			219	104	
3125-D-B-1 3125-D-B-2 3125-D-B-3 3125-D-B-4	165 x 250	100	315	40 50 40 50	40 40 50 50			219	154	
3131-D-B-1 3131-D-B-2 3131-D-B-3 3131-D-B-4	165 x 315	165	315	40 50 40 50	40 40 50 50			219	219	

CATALOGUE NUMBER	DIE SPACE	Y	A ₁	C _{1±2}	C _{2±2}	D ₁	D ₂	E ₁	E ₂	P
	A x B									
4020-D-B-1 4020-D-B-2 4020-D-B-3 4020-D-B-4	223 x 200	23	400	40 50 40 50	40 40 50 50	32	40	288	88	56
4025-D-B-1 4025-D-B-2 4025-D-B-3 4025-D-B-4	223 x 250	73	400	40 50 40 50	40 40 50 50			288	138	
4031-D-B-1 4031-D-B-2 4031-D-B-3 4031-D-B-4	223 x 315	138	400	40 50 40 50	40 40 50 50			288	203	
4040-D-B-1 4040-D-B-2 4040-D-B-3 4040-D-B-4	223 x 400	223	400	40 50 40 50	40 40 50 50			288	288	
5025-D-B-1 5025-D-B-2 5025-D-B-3 5025-D-B-4	323 x 250	73	500	40 50 40 50	40 40 50 50	32	40	388	138	56
5031-D-B-1 5031-D-B-2 5031-D-B-3 5031-D-B-4	323 x 315	138	500	40 50 40 50	40 40 50 50			388	203	
5040-D-B-1 5040-D-B-2 5040-D-B-3 5040-D-B-4	323 x 400	223	500	40 50 40 50	40 40 50 50			388	288	
5050-D-B-1 5050-D-B-2 5050-D-B-3 5050-D-B-4	323 x 500	323	500	40 50 40 50	40 40 50 50			388	388	
6331-D-B-1 6331-D-B-2 6331-D-B-3 6331-D-B-4	421 x 315	106	630	50 58 50 58	50 50 58 58	40	50	502	187	64
6340-D-B-1 6340-D-B-2 6340-D-B-3 6340-D-B-4	421 x 400	191	630	50 58 50 58	50 50 58 58			502	272	
6350-D-B-1 6350-D-B-2 6350-D-B-3 6350-D-B-4	421 x 500	291	630	50 58 50 58	50 50 58 58			502	372	
6363-D-B-1 6363-D-B-2 6363-D-B-3 6363-D-B-4	421 x 630	421	630	50 58 50 58	50 50 58 58			502	502	
7140-D-B-1 7140-D-B-2 7140-D-B-3 7140-D-B-4	469 x 400	159	710	58 63 58 63	58 58 63 63	50	63	564	254	73
7150-D-B-1 7150-D-B-2 7150-D-B-3 7150-D-B-4	469 x 500	259	710	58 63 58 63	58 58 63 63			564	354	
7163-D-B-1 7163-D-B-2 7163-D-B-3 7163-D-B-4	469 x 630	389	710	58 63 58 63	58 58 63 63			564	484	
8040-D-B-1 8040-D-B-2 8040-D-B-3 8040-D-B-4	559 x 400	159	800	58 63 58 63	58 58 63 63			654	254	
8050-D-B-1 8050-D-B-2 8050-D-B-3 8050-D-B-4	559 x 500	259	800	58 63 58 63	58 58 63 63	50	63	654	354	73
8063-D-B-1 8063-D-B-2 8063-D-B-3 8063-D-B-4	559 x 630	389	800	58 63 58 63	58 58 63 63			654	484	

Demountable pillars and bushes can be fitted where daylight permits at extra cost.



C3 PLATE TO ORDER

NOTES

- When ordering state preferred ball bush type.
- Die sets with 19 diameter elements will have pillars in base and be fitted with BAC type bushes.*
- When using demountable bushes die space **A** and **B** will be reduced.

CATALOGUE NUMBER	BETWEEN BUSHES		A ₁	B ₁	C ₁ ±2	C ₂ ±2	D	E ₁	E ₂	P
	A	B								
1612-F-B-1 1612-F-B-2 1612-F-B-3 1612-F-B-4	68	33	160	125	25 30 25 30	25 25 30 30	19*	104	69	28
1615-F-B-1 1615-F-B-2 1615-F-B-3 1615-F-B-4	68	58	160	150	25 30 25 30	25 25 30 30		104	94	
2012-F-B-1 2012-F-B-2 2012-F-B-3 2012-F-B-4	108	33	200	125	30 40 30 40	30 30 40 40	19*	144	69	28
2015-F-B-1 2015-F-B-2 2015-F-B-3 2015-F-B-4	108	58	200	150	30 40 30 40	30 30 40 40		144	94	
2017-F-B-1 2017-F-B-2 2017-F-B-3 2017-F-B-4	108	83	200	175	30 40 30 40	30 30 40 40		144	119	
2020-F-B-1 2020-F-B-2 2020-F-B-3 2020-F-B-4	108	108	200	200	30 40 30 40	30 30 40 40		144	144	
2515-F-B-1 2515-F-B-2 2515-F-B-3 2515-F-B-4	130	30	250	150	30 40 30 40	30 30 40 40	25	172	72	39
2517-F-B-1 2517-F-B-2 2517-F-B-3 2517-F-B-4	130	55	250	175	30 40 30 40	30 30 40 40		172	97	
2520-F-B-1 2520-F-B-2 2520-F-B-3 2520-F-B-4	130	80	250	200	30 40 30 40	30 30 40 40		172	122	
2525-F-B-1 2525-F-B-2 2525-F-B-3 2525-F-B-4	130	130	250	250	30 40 30 40	30 30 40 40		172	172	

CATALOGUE NUMBER	BETWEEN BUSHES		A ₁	B ₁	C _{1±2}	C _{2±2}	D	E ₁	E ₂	P
	A	B								
3117-F-B-1 3117-F-B-2 3117-F-B-3 3117-F-B-4	182	42	315	175	40 50 40 50	40 40 50 50	25	237	97	39
3120-F-B-1 3120-F-B-2 3120-F-B-3 3120-F-B-4	182	67	315	200	40 50 40 50	40 40 50 50		237	122	
3125-F-B-1 3125-F-B-2 3125-F-B-3 3125-F-B-4	182	117	315	250	40 50 40 50	40 40 50 50		237	172	
3131-F-B-1 3131-F-B-2 3131-F-B-3 3131-F-B-4	182	182	315	315	40 50 40 50	40 40 50 50		237	237	
4020-F-B-1 4020-F-B-2 4020-F-B-3 4020-F-B-4	250	50	400	200	40 50 40 50	40 40 50 50	32	304	104	48
4025-F-B-1 4025-F-B-2 4025-F-B-3 4025-F-B-4	250	100	400	250	40 50 40 50	40 40 50 50		304	154	
4031-F-B-1 4031-F-B-2 4031-F-B-3 4031-F-B-4	250	165	400	315	40 50 40 50	40 40 50 50		304	219	
4040-F-B-1 4040-F-B-2 4040-F-B-3 4040-F-B-4	250	250	400	400	40 50 40 50	40 40 50 50		304	304	
5025-F-B-1 5025-F-B-2 5025-F-B-3 5025-F-B-4	350	100	500	250	40 50 40 50	40 40 50 50	32	404	154	48
5031-F-B-1 5031-F-B-2 5031-F-B-3 5031-F-B-4	350	165	500	315	40 50 40 50	40 40 50 50		404	219	
5040-F-B-1 5040-F-B-2 5040-F-B-3 5040-F-B-4	350	250	500	400	40 50 40 50	40 40 50 50		404	304	
5050-F-B-1 5050-F-B-2 5050-F-B-3 5050-F-B-4	350	350	500	500	40 50 40 50	40 40 50 50		404	404	
6331-F-B-1 6331-F-B-2 6331-F-B-3 6331-F-B-4	453	138	630	315	50 58 50 58	50 50 58 58	40	518	203	56
6340-F-B-1 6340-F-B-2 6340-F-B-3 6340-F-B-4	453	223	630	400	50 58 50 58	50 50 58 58		518	288	
6350-F-B-1 6350-F-B-2 6350-F-B-3 6350-F-B-4	453	323	630	500	50 58 50 58	50 50 58 58		518	388	
6363-F-B-1 6363-F-B-2 6363-F-B-3 6363-F-B-4	453	453	630	630	50 58 50 58	50 50 58 58		518	518	
7140-F-B-1 7140-F-B-2 7140-F-B-3 7140-F-B-4	501	191	710	400	58 63 58 63	58 58 63 63	50	582	272	64
7150-F-B-1 7150-F-B-2 7150-F-B-3 7150-F-B-4	501	291	710	500	58 63 58 63	58 58 63 63		582	372	
7163-F-B-1 7163-F-B-2 7163-F-B-3 7163-F-B-4	501	421	710	630	58 63 58 63	58 58 63 63		582	502	
8040-F-B-1 8040-F-B-2 8040-F-B-3 8040-F-B-4	591	191	800	400	58 63 58 63	58 58 63 63		672	272	
8050-F-B-1 8050-F-B-2 8050-F-B-3 8050-F-B-4	591	291	800	500	58 63 58 63	58 58 63 63	672	372	64	
8063-F-B-1 8063-F-B-2 8063-F-B-3 8063-F-B-4	591	421	800	630	58 63 58 63	58 58 63 63	672	502		

Demountable pillars and bushes can be fitted where daylight permits at extra cost.

BLANK PAGE